

KP1000 SERIES DIGITAL PROGRAM CONTROLLER



The KP1000 series is a 96x96mm digital program controller with the indicating accuracy of $\pm 0.1\%$, the control cycle of approximately 0.1 seconds and maximum 19 program patterns (maximum 19 steps/pattern).

Various functions including the whole program pattern display screen and universal input are provided as standard.

■ FEATURES

● Large easy-to-view 5-digit display

Large easy-to-view 5-digit display

Process value (PV) and set value (SV) are displayed by large easy-to-view 5-digit display indicators. The resolution of 0.1°C is enabled for more than 1000°C .

● Outstanding controllability

Two types of PID algorithms, the position-type PID algorithm and the speed-type PID algorithm, have been installed. You can select the optimum PID algorithm for an object controlled.

● Operability inheriting previous models

The controller inherits the settings screen which has been familiarized for long time. You can set up it with operation which is not different from previous models. The performance of touching-keys has been improved and the outstanding operability has been realized.

● High-precision transmission signal output

The high-precision (0.1% of full scale) analog transmission signal output can be added.

● 24V power supply voltage type provided

The power supply voltage 24V (AC/DC) type, which is advantageous in respect of safe, is available.

● Program pattern

Settings of maximum 19 steps per pattern and maximum 19 sets of patterns are enabled. Repeating of a whole program pattern, linking of program patterns and repeating of a specific step in a program pattern are enabled, too.



● Easily identifiable pattern progress display

By selecting the whole program pattern display screen in the operation screen, the shape of whole program pattern and the progressed pattern position are identifiable at a glance.

● Universal input

Various measurement ranges of DC voltage (up to maximum 10V) inputs, DC current input, thermocouple inputs and resistance thermometer inputs have been built-in.

● 2 colors of casing available

You can select the color of casing from 2 colors of gray with OA equipment feeling and black with high-class feeling.

● Conforming to international safety standards and European directives (CE)

The controller is in conformity with European directives (CE), and is UL and c-UL approved.

● Conforming to RoHS

The controller is an environmental consideration product which does not contain directed hazardous substances such as lead, etc.

■ NAMES OF VARIOUS PARTS



Display

1. Operation status (RUN) indication
Lights in operation.
2. Operation stop (STOP) indication
Lights in the state of operation stop.
3. RESET indication
Lights when operation is cancelled and returns to the start point.
4. Constant value operation (CONST) indication
Light in constant value operation.
5. Pattern No. (PTN) indication
6. Alarm-standby (WAIT) indication
Lights in alarm-standby status or when alarm is cancelled.
Blinks when standby time alarm is activated.
7. Program remote (REM) indication
Lights when operation is executed by external drive input.
8. Executing step number (STP) indication
The step No. being executed is indicated.
(Blinks in real temperature compensation operation.)
9. Error (ERR) indication
Lights when sampling of input is abnormal.
10. Auto-tuning operation (AT) indication
Lights in auto-tuning operation.
11. Manual operation (MAN1/MAN2) indication
Lights when the output No. 1 or No. 2 is in manual output operation.
12. Function (FNC) operation indication
Lights when the function key is operated.
20. Process value (PV) indication
21. Set value (SV) indication
22. Time signal (TS1 to TS5) indication
- Alarm activation (AL1 to AL4) indication

Function keys

13. FNC key
With the operation screen displayed, pressing it puts the controller in the operation key mode. With the settings screen displayed, pressing it puts the controller in the setting key mode and it operates to move the cursor backwards.
14. RUN key
In the operation key mode, it operates as RUN key. With the settings screen displayed, pressing it puts the controller in the setting key mode and it is used for switching between the operation screen and the mode screen of Mode 0, or for switching from the settings screen to the mode screen.
15. STOP key
In the operation key mode, it operates as STOP key. With the settings screen displayed, pressing it puts the controller in the setting key mode and it is used to switch the settings screen.
16. ADV (Advance) key
In the operation key mode, it operates as ADV key. With the settings screen displayed, pressing it puts the controller in the setting key mode and it is used for moving the cursor and for selecting a parameter.
17. RESET key
In the operation key mode, it operates as RESET key. With the settings screen displayed, pressing it puts the controller in the setting key mode and it is used for changing a setting value (or selecting a parameter) in descending order.
18. PTN (Pattern) key
In the operation key mode, it operates as PTN key. With the settings screen displayed, pressing it puts the controller in the setting key mode and it is used for changing a setting value (or selecting a parameter) in ascending order.
19. A/M (Auto/Manual) key
In the operation key mode, it operates as A/M key. With the settings screen displayed, pressing it puts the controller in the setting key mode and it is used for registering the settings.

Lower display

23. A wide variety of operation screens are prepared and arbitrarily-selection is enabled. On the whole program pattern display screen, the simultaneous display of the shape of whole program pattern and the progressed pattern position has been realized.



Output screen



Time screen



Pattern screen

24. Engineering port

■ INPUT SPECIFICATIONS

Input signal:	Thermocouple B, R, S, K, E, J, T, N, WRe5-WRe26, W-WRe26, NiMo-Ni, CR-AuFe, PR5-20, PtRh40-PtRh20, Platinel II, U, L DC voltage ±10mV, ±20mV, ±50mV, ±100mV, ±5V, ±10V DC 0 to 20 mA Resistance thermometer Pt100, JPt100, Old Pt100, JPt50, Pt-Co
Measuring range:	Thermocouple 28 ranges, DC voltage 6 ranges, DC current 1 range, Resistance thermometer 14 ranges. *For details, refer to [Measurement ranges].
Accuracy rating:	± 0.1% of measurement range ± 1 digit *For details, refer to [Detailed specifications of accuracy ratings].
Reference junction compensation accuracy:	K, E, J, T, N, Platinel II --- ±0.5°C or a value equivalent to ±20µV, whichever is greater (at ambient temperature of 23°C ± 10°C) Others --- ±1.0°C or a value equivalent to ± 40µV, whichever is greater
Resolution:	Approximately 1/30000
Sampling rate:	Approximately 0.1 seconds
Burnout:	Upscale burnout is only enabled in thermocouple, DC voltage (±50mV or less) and resistance thermometer (3-wire type). For the burnout, the output value of Output No. 1 can be set arbitrarily, the output value of Output No. 2 is fixed at 0% and the high limit alarm is set at ON (for the upscale burnout). (The burnout is disabled in DC voltage (±100mV or more), DC current, resistance temperature (4-wire type)).
Input impedance:	Thermocouple 1MΩ or more DC voltage 1MΩ or more DC current Approximately 250Ω
Allowable signal source resistance:	Thermocouple 100Ω or less DC voltage (mV) 100Ω or less DC voltage (V) 300Ω or less
Allowable wire resistance (resistance thermometer):	5Ω or less (Same resistance for all wires)
Rated current (resistance thermometer):	Approximately 1mA
Maximum allowable input:	Thermocouple ±20V or less DC voltage ±20V or less DC current ±30mA or less, ±7.5V or less Resistance thermometer 500Ω or less, ±5V or less
Maximum common mode voltage:	30VAC
Common mode rejection ratio:	130dB or more (50/60Hz)
Normal mode rejection ratio:	50dB or more (50/60Hz)

■ DISPLAY SPECIFICATIONS

Display element:	Upper display LED Lower display LCD (with back light) 108 x 24 dots
Display content:	Upper display PV 5-digit, SV 5-digit, status indications, etc. Lower display MV, output status, settings screen, etc.

■ CONTROL SPECIFICATIONS

Control cycle:	Approximately 0.1 seconds
Output type:	ON-OFF pulse type, ON-OFF servo type, Current output type, SSR drive pulse type, Voltage output type
ON-OFF pulse type:	Output signal ON-OFF pulse conductive signal Contact capacity Resistive load 100 to 240VAC 30VDC 5A or less Inductive load 100 to 240VAC 30VDC 2.5A or less Smallest load 5VDC 10mA or more Contact protection Small CR element built-in ON-OFF pulse cycle 1 to 180 seconds
ON-OFF servo type:	Output signal ON-OFF servo conductive signal Contact capacity of standard load Resistive load 100 to 240VAC 30VDC 5A or less Inductive load 100 to 240VAC 30VDC 2.5A or less Smallest load 5VDC 10mA or more Contact capacity of very light load Resistive load 100 to 240VAC 30VDC 20mA or less Inductive load 100 to 240VAC 30VDC 20mA or less Smallest load 5VDC 1mA or more Feedback resistance 100Ω to 2kΩ Contact protection Small CR element built-in
Current output type:	Output signal 4 to 20mA Load resistance 750Ω or less
SSR drive pulse type:	Output signal ON-OFF pulse voltage signal Output voltage ON voltage 12VDC ± 20% OFF voltage 0.8VDC or less Load current 20mA or less Pulse cycle 1 to 180 seconds
Voltage output type:	Output signal 0 to 10V Output impedance Approx. 10Ω Load resistance 50kΩ or more
Output limiter:	-5.0 to 105.0%
Rate-of-change limiter for output:	0.1 to 100.0%
Output preset:	With P action (Settings of I and D = 0), Output at PV = SV -100.0 to 100.0% Output No. 2 is 0%.
Output deadband:	In case of 2-position control (Setting of P = 0), Setting range 0.1 to 9.9%
Control action:	With direct/reverse selection
Output at PV abnormality:	Over-range, under-range, abnormal internal data
Manual output operation:	Output by manual setting -5.0 to 105.0% MAN → AUTO Balanceless bumpless AUTO → MAN Keeping output at AUTO

■ SETTING SPECIFICATIONS

Number of patterns:	19 patterns Pattern repetition ... Maximum 9999 times
Number of steps:	19 steps/pattern Step repetition ... Maximum 99 times
Control relations:	PID 8 types P 0 to 999.9% I ∞, 1 to 9999 seconds D 0 to 9999 seconds A.R.W. (Anti reset windup) High limit --- 0 to 100.0% Low limit --- -100 to 0.0%
Output relations:	Output deadband Output preset Output limiter 8 types Rate-of-change limiter for output 8 types
Alarm relations:	Alarm value 4 points 8 types, alarm types, alarm deadband, alarm delay

■ ALARM SPECIFICATIONS

Number of alarm points: 4 points

Alarm types: Absolute value alarm, deviation alarm

Output signal: Relay output signal (a contact)
1 common terminal for AL1 and AL2, 1 common terminal for AL3 and AL4

Contact capacity
Resistance load 100 to 240VAC 30VDC 3A or less
Inductive load 100 to 240VAC 30VDC 1.5A or less
Smallest load 5VDC 10mA or more

■ GENERAL SPECIFICATIONS

Rated power voltage:
General power supply specifications 100 to 240VAC
24V Power supply specifications 24VAC/24VDC

Rated power supply frequency:
General power supply specifications 50/60Hz
24V Power supply specification 50/60Hz (24VAC)

Maximum power consumption:
General power supply specifications
Without options 100VAC 10VA
240VAC 15VA
With options 100VAC 15VA
240VAC 20VA
24V Power supply specifications
Without options 24VAC 10VA
24VDC 5W
With options 24VAC 15VA
24VDC 10W

Working temperature range:
-10 to 50°C

Working humidity range:
10 to 90%RH

Power failure countermeasures:
Settings stored in EEPROM (Rewrite count: One million times or less) and stored by a lithium battery for 5 years or more

Terminal screws: M3.5

Insulation resistance: Between primary terminals and secondary terminals
20MΩ or more (500VDC)
Between primary terminals and ground terminal
20MΩ or more (500VDC)
Between secondary terminals and ground terminal
20MΩ or more (500VDC)

Withstand voltage: Between primary terminals and secondary terminals
1500VAC (For 1 minute)
Between primary terminals and ground terminal
1500VAC (For 1 minute)
Between secondary terminals and ground terminal
500VAC (For 1 minute)
*Primary terminal: Terminals for power supply (100 to 240VAC), control output and alarm output

Casing: Fire-retardant polycarbonate

Color: Gray or black

Mounting: Panel mounting

External dimensions: 96 (H) x 96 (W) x 127 (D) mm
*The depth from the front panel is 120mm.

Weight:
Without options Approximately 450g
With options Approximately 580g

■ SAFETY STANDARD

CE: EN61326: 1997 +A1+A2+A3
EN61010-1: 2001 (Overvoltage category II, pollution degree 2)

* Under the test conditions of EMC directives, there may be variation of indication value or output value which is equivalent to maximum $\pm 10\%$ or maximum 2mV, whichever is greater..

UL: UL61010-1 2nd edition
c-UL: CAN/CSA C22.2 No.61010-1-04

■ REFERENCE OPERATING CONDITIONS

Ambient temperature: 23°C $\pm 2^\circ\text{C}$

Ambient humidity: 55%RH $\pm 5\%$ (No dew condensation)

Power voltage: General power supply specifications
100VAC $\pm 1\%$
24V power supply specifications
24VDC $\pm 1\%$

Power supply frequency:
General power supply specifications
50/60Hz $\pm 0.5\%$
24V power supply specifications
DC

Mounting angle: Forward or backward $\pm 3^\circ$, lateral $\pm 3^\circ$

Installation height: Altitude 2000m or below

Vibration: 0m/s²

Shock: 0m/s²

Mounting condition: Single-unit panel mounting (Space above, below, right and left of unit is needed.)

Wind: None

External noise: None

Warm up time: 30 minutes or longer

■ NORMAL OPERATING CONDITIONS

Ambient temperature: -10°C to 50°C (-10°C to 40°C for closed mounting)

Ambient humidity: 10 to 90%RH (no dew condensation)

Power voltage: General power supply specifications 90 to 264VAC
24V Power supply specifications 21.6 to 26.4VDC/AC

Power supply frequency:
General power supply specifications 50/60Hz $\pm 2\%$
24V Power supply specifications DC, 50/60Hz $\pm 2\%$

Mounting angle: Forward or backward $\pm 10^\circ$, lateral $\pm 10^\circ$

Installation height: Altitude 2000m or below

Vibration: 2m/s²

Shock: 0m/s²

Mounting condition: Single-unit panel mounting (Space above and below of the unit is needed.)

External noise: None

Rate of ambient temperature change:
10°C/hour or less

■ TRANSPORT CONDITIONS

Ambient temperature: -20°C to 60°C

Ambient humidity: 5 to 90%RH (no dew condensation)

Vibration: 4.9m/s² (10 to 60Hz)

Shock: 392m/s²

Under the condition that the unit is packed for shipment by the factory

■ STORAGE CONDITIONS

Ambient temperature: -20°C to 60°C
For long term storage, the temperature should be 10°C to 30°C.

Ambient humidity: 5 to 90%RH (no dew condensation)

Vibration: 0m/s²

Shock: 0m/s²

Under the condition that the unit is packed for shipment by the factory

■ OPTIONS

●Transmission signal output

Output a signal corresponding to set value (SV), process value (PV), manipulated value (MV), etc.

Number of output: 1 point
 Output signal: 4 - 20mA (Load resistance 400Ω or less)
 0 - 1V
 (Output resistance Approx.10Ω, Load resistance 50kΩ or more)
 0 - 10V
 (Output resistance Approx.10Ω, Load resistance 50kΩ or more)
 Output accuracy: ±0.1% of full scale
 Output resolution: Approximately 1/30000

●Communications interface

With RS232C, RS422A or RS485, the setting and measured values of the controller can be transmitted to a master CPU and various parameters can be set by the master CPU.

Number of communications points: 1 point
 Communications type: RS232C, RS422A, RS485
 Communication speed: 2400/4800/9600/19200/38400 bps
 Protocol: MODBUS (RTU), MODBUS (ASCII), PRIVATE

●Panel sealing

By mounting the controller to a panel, it has the panel sealing equivalent to [IP54 compliance].

●Terminal cover

It covers the terminals for safe. The cover is transparent.

●2-output type

2 kinds of output with direct and reverse actions are outputted and simultaneous control of heating/cooling is enabled.

Control period: Approx. 0.1 seconds
 Output type: ON-OFF pulse type, Current output type, Voltage output type, SSR drive pulse type
 Any combinations of these types are enabled.
 Control system: PID system

●External drive input

Operation by external contact signal input is enabled.

Input signal: No-voltage contact, open-collector signal
 Functions: 1. Run/Stop
 2. Advance
 3. Reset
 4. Wait * Not available for 3 external drive inputs

●Pattern Selecting input

Selection of pattern No. by external contact signal input is enabled.

Input signal: No-voltage contact, open-collector signal
 Function: Pattern No. selection 5 points

●Status signal output

Current operation status can be outputted.

Output signal: Open-collector signal
 Functions: 1. Run/stop
 2. Advance
 3. Reset
 4. Wait

●Time signal output

Time signal can be outputted for each preset pattern/step.

Output signal: Open-collector signal
 Function: Time signal 5 points
 * 4 points in case of time signal 4 points specification

●End signal output

Program operation end status can be outputted.

Output signal: Open-collector signal
 Function: End

■ DETAILED SPECIFICATIONS OF ACCURACY RATING

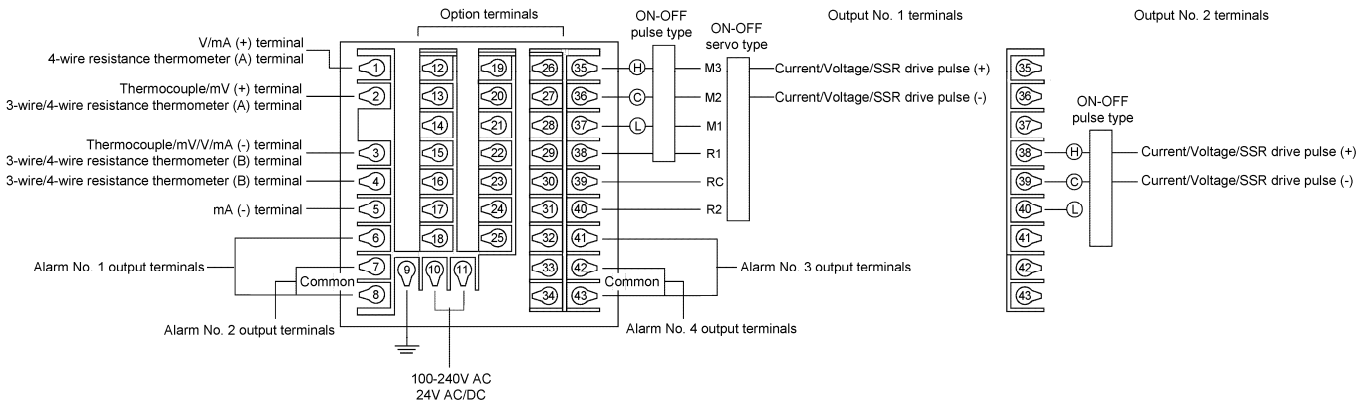
Input type		Accuracy rating	Exceptional specifications
Thermocouple	B	±0.1% ±1digit	Less than 400°C: Not specified / 400°C to less than 800°C: ±0.2% ±1 digit
	R, S		0°C to less than 400°C: ±0.2% ±1 digit
	N		
	K		-200°C to less than 0°C: ±0.2% ±1digit or the value equivalent to ±60 μV, whichever is greater
	E		-270°C to less than 0°C: ±0.2% ±1digit or the value equivalent to ±80 μV, whichever is greater
	J		-200°C to less than 0°C: ±0.2% ±1digit or the value equivalent to ±80 μV, whichever is greater
	T		-270°C to less than 0°C: ±0.2% ±1digit or the value equivalent to ±40 μV, whichever is greater
	U		-200°C to less than 0°C: ±0.2% ±1digit or the value equivalent to ±40 μV, whichever is greater
	L		-200°C to less than 0°C: ±0.2% ±1digit
	WRe5-WRe26		
	W-WRe26		0°C to less than 400°C ±0.3% ±1 digit
	NiMo-Ni		
	PlatineII		
	CR-AuFe		
PR5-20	±0.2% ±1digit	0K to less than 200K: ±0.5% ±1 digit / 20K to less than 50K: ±0.3% ±1 digit	
PtRh40-PtRh20		0°C to less than 100°C: Not specified / 100°C to less than 200°C: ±0.5% ±1 digit	
DC voltage / DC current		±0.1% ±1digit	0°C to less than 400°C: ±1.5% ±1 digit / 400°C to less than 800°C: ±0.8% ±1 digit
Resistance thermometer	Pt100	±0.1% ±1digit	For the measuring range of [-100°C to 100°C] only: ±0.15% ±1digit
	Old Pt100		
	JPt100		
	JPt50		
	Pt-Co	±0.15% ±1digit	4K to less than 20K : ±0.5% ±1digit / 20K to less than 50K : ±0.3% ±1digit

* The above ratings are the measurement range conversion accuracies under the reference operating conditions.

For thermocouple inputs, the reference junction compensation accuracy is added.

* K, E, J, T, R, S, B, N : IEC584 (1977, 1982), JIS C 1602-1995, JIS C 1605-1995
 WRe5-WRe26, W-WRe26, NiMo-Ni, PlatineII, CR-AuFe, PtRh40-PtRh20 : ASTM Vol.14.03
 U, L : DIN43710-1985
 Pt100 : IEC751 (1995), JIS C 1604-1997
 Old dPt100 : IEC751 (1983), JIS C 1604-1989, JIS C 1606-1989
 JPt100 : JIS C 1604-1981, JIS C 1606-1986
 JPt50 : JIS C 1604-1981

■ TERMINAL ARRANGEMENT



● Option terminals

Options common to each zone

T	N	D	P	M	1st ← 2nd ← 3rd zone
TS1	RUN/STOP		PTN10	TS1	12 19 26
TS2	ADV	WAIT	PTN8	TS2	13 20 27
TS3	RESET	RESET	PTN4	TS3	14 21 28
TS4	WAIT	ADV	PTN2	TS4	15 22 29
TS5	END	RUN/STOP	PTN1	END	16 23 30
COM	COM	COM	COM	COM	17 24 31
					18 25 32
					33 34

Based on combination with other options, assign the zone in the above order.

T: 5 Time signal outputs

D: 4 External drive inputs

M: 4 Time signal + End signal outputs

N: 4 Status signal + End signal outputs

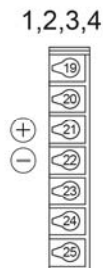
P: Pattern selecting input

Communications interface (1st zone)

R	A	S
RD	RDA	SA
SD	RDB	SB
SG	SDA	SG
	SDB	
	SG	

R: RS232C A: RS422A S: RS485

Transmission signal output (2nd zone)



External drive input (3rd zone)

5	6	7	8
TS1	TS1	RUN/STOP	PTN10
TS2	TS2	ADV	PTN8
TS3	TS3	RESET	PTN4
TS4	TS4	WAIT	PTN2
END	TS5	WAIT	PTN1
RESET	RESET	RESET	RESET
ADV	ADV	ADV	ADV
RUN/STOP	RUN/STOP	RUN/STOP	RUN/STOP
COM	COM	COM	COM

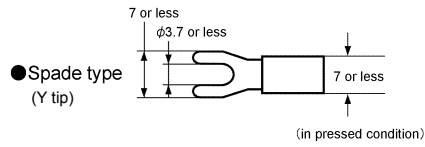
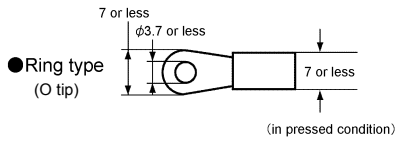
5: 4 Time signal + End signal outputs + 3 External drive inputs

7: 4 Status signal outputs + 4 External drive inputs

6: 5 Time signal outputs + 3 External drive inputs

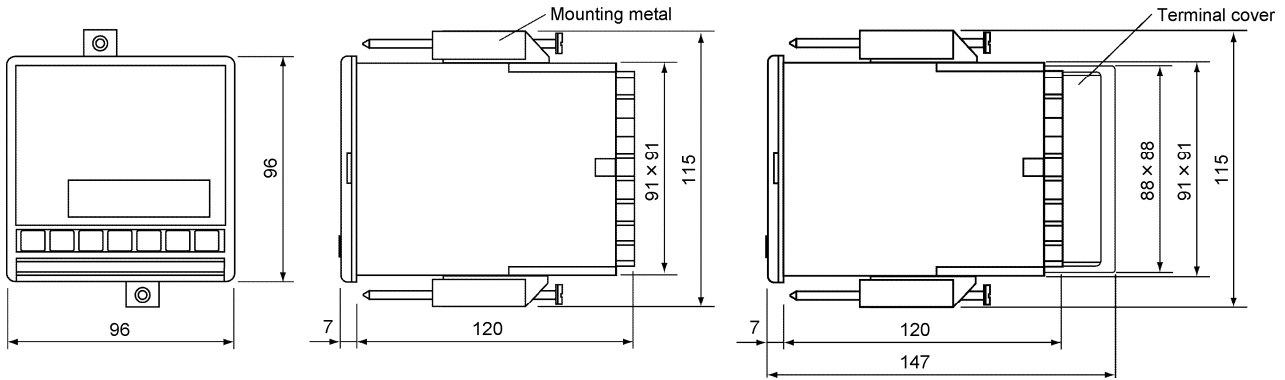
8: 3 External drive inputs + Pattern selecting input

● ABOUT CRIMP STYLE TERMINALS

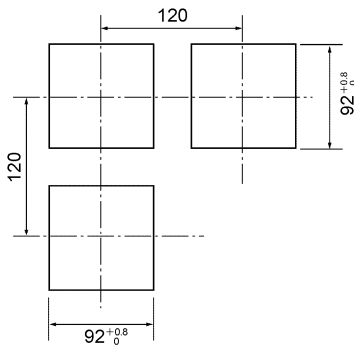


*Use terminal with insulation

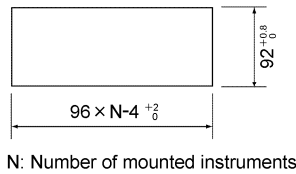
■ EXTERNAL DIMENSIONS



● PANEL CUTOUT



● Closed mounting panel dimensions



Unit: mm

Specifications subject to change without notice. Printed in Japan (I) 2018. 7 Recycled Paper

CHINO CORPORATION

32-8 KUMANO-CHO, ITABASHI-KU, TOKYO 173-8632

PHONE: +81-3-3956-2171

FAX: +81-3-3956-0915

E-mail: inter@chino.co.jp

Website: <http://www.chino.co.jp>